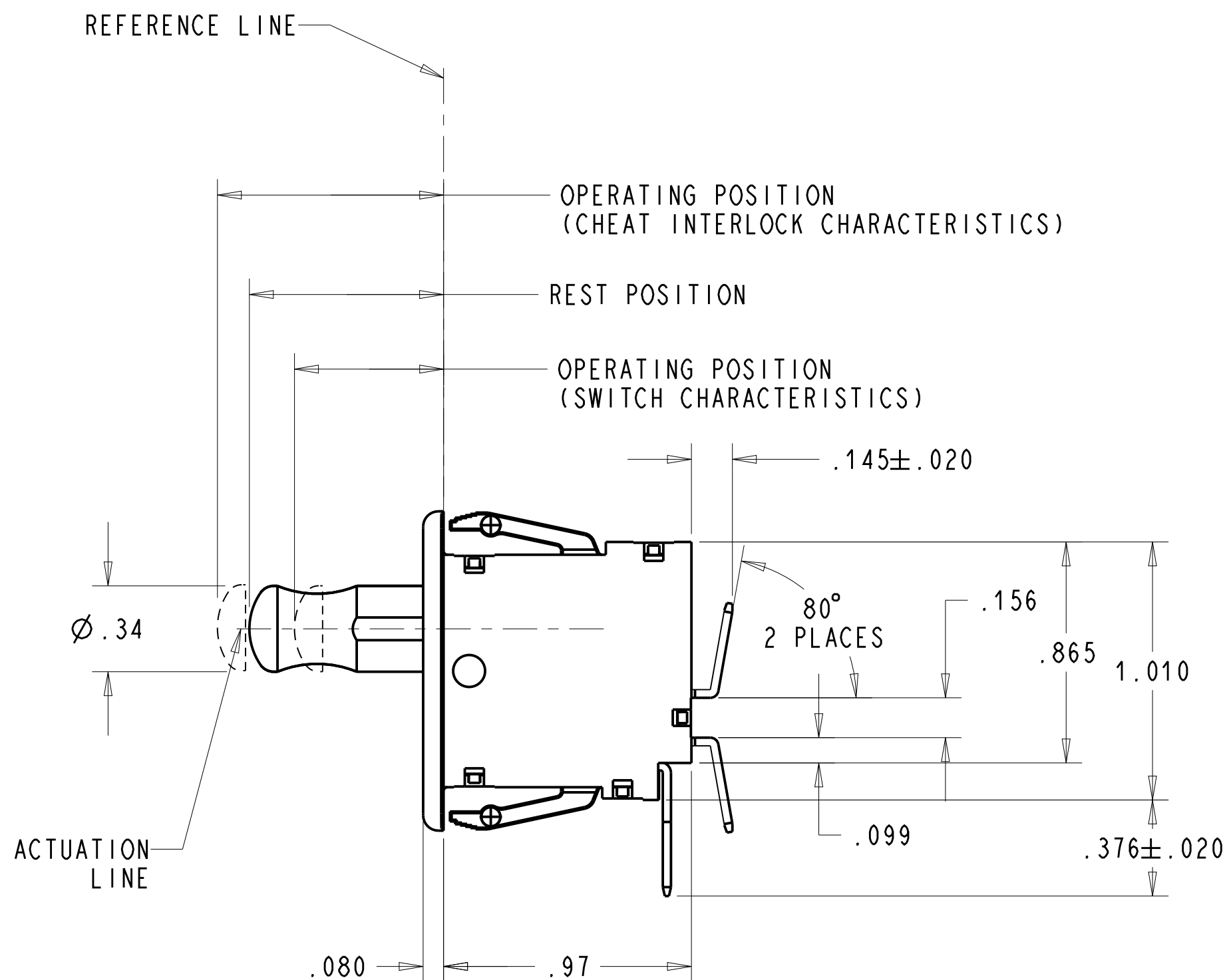
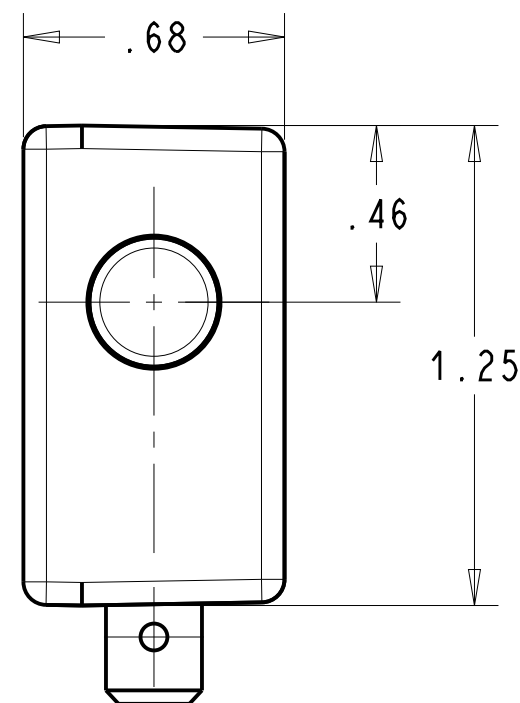
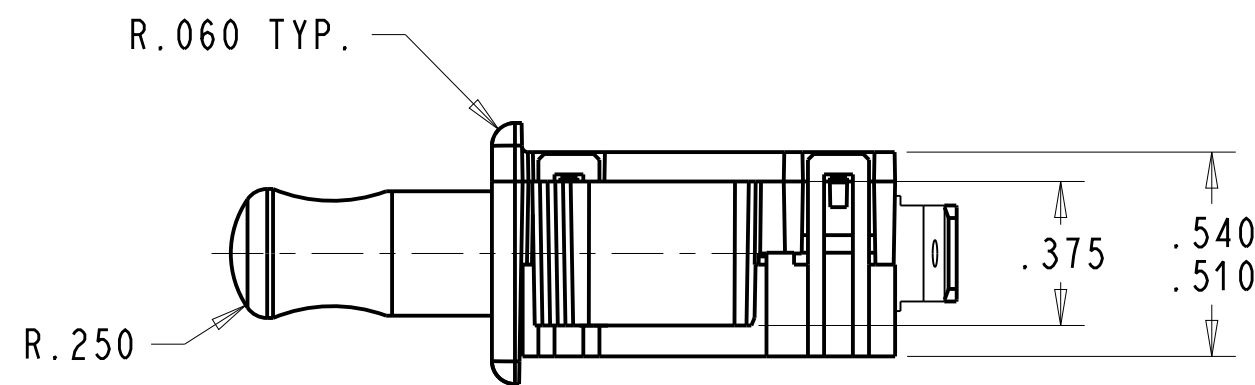


PANEL CUTOUT DETAIL
RECOMMENDED
PANEL THICKNESS
.045 - .100



NOTES (UNLESS OTHERWISE SPECIFIED):

1. SWITCH CHARACTERISTICS:

REST POSITION: .730 TO .790
PRETRAVEL: .125 MAX.
OPERATING POSITION: .610 TO .710
OVER-TRAVEL: .100 MIN.
MOVEMENT DIFF: .045 MAX.
OPERATING FORCE grams: 425 MAX.

BUTTON POSITION
AT FULL OVERTRAVEL: .520 MAX.

ALL CHARACTERISTICS ARE TAKEN AT THE ACTUATION
LINE AND MEASURED FROM THE REFERENCE LINE.

CHEAT INTERLOCK CHARACTERISTICS:

REST POSITION: .730 TO .790
PRETRAVEL: .125 MAX.
OPERATING POSITION: .800 TO .900
OVER-TRAVEL: .050 MIN.
MOVEMENT DIFF: .060 MAX.
FULL OVERTRAVEL: .980 MAX.
OPERATING FORCE grams: 585 MAX.

2. us ELECTRICAL RATING

10 A, 125/250 VAC
1/3 HP, 125/250VAC.

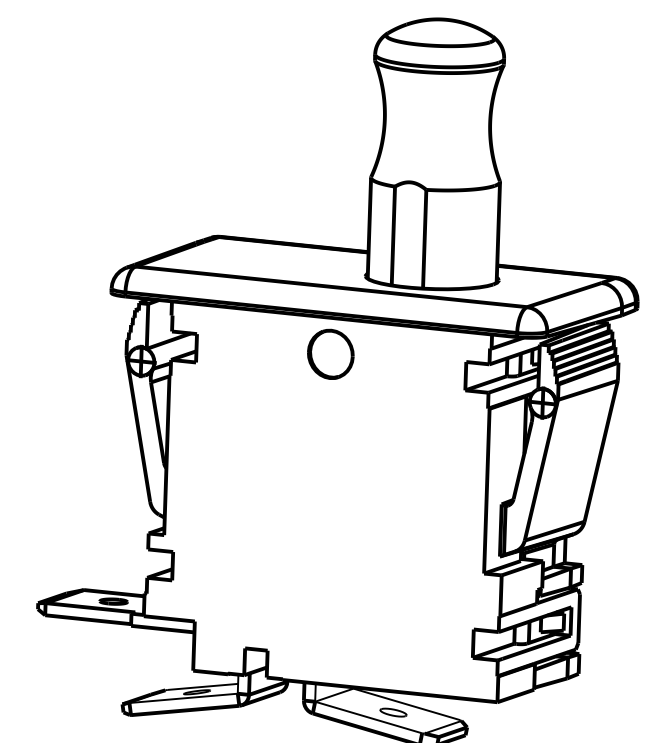
10(4)A 250V, 50E3. 40T85

3. TERMINALS:
ARE .250 WIDTH x .032 THICKNESS.

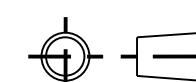
4. RECOGNIZED TO U.S. AND CANADIAN REQUIREMENTS
UNDER THE COMPONENT RECOGNITION PROGRAM OF
UNDERWRITERS LABORATORIES, INC.

5. TEMPERATURE RATING: -40°C TO +85°C

6. COLORS:
FACEPLATE WHITE
BUTTON WHITE



DWN: J DOLNIK
APVD: RC
DATE: 28-Apr-03
THIRD ANGLE PROJECTION



CONFIDENTIAL AND PROPRIETARY:
ALL INFORMATION OR INVENTIONS CONTAINED IN THIS
DOCUMENT OR DERIVED FROM THE INFORMATION THERE
IN IS OWNED BY ZF ELECTRONIC SYSTEMS, AND IS
CONFIDENTIAL AND PROPRIETARY. REVIEW OR
POSSESSION OF THIS DOCUMENT INDICATES AGREEMENT
THAT SUCH INFORMATION AND INVENTIONS WILL NOT BE
DISCLOSED, REPRODUCED OR OTHERWISE USED IN ANY
WAY WITHOUT EXPRESS WRITTEN PERMISSION FROM AN
AUTHORIZED REPRESENTATIVE OF ZF ELECTRONIC
SYSTEMS.



11200 88th AVE. PLEASANT PRAIRIE, WI 53158

NAME / DESCRIPTION

SPECIFICATION DRAWING

C	Z000375239	29-Aug-16	JPD	ELL	PROJECT/ CSR
REV	ECO NO.	DATE	PREP	APVD	4000000138

TOLERANCE UNLESS SPECIFIED			
DWG UNITS	X.XX	X.XXX	ANGLES
INCHES	± 0.02	± 0.015	± 5.0 °

C	ITEM NO.	OF69-24A0
SCALE:	2:1	SH 1 OF 1

ORIGINAL ON PRO/E